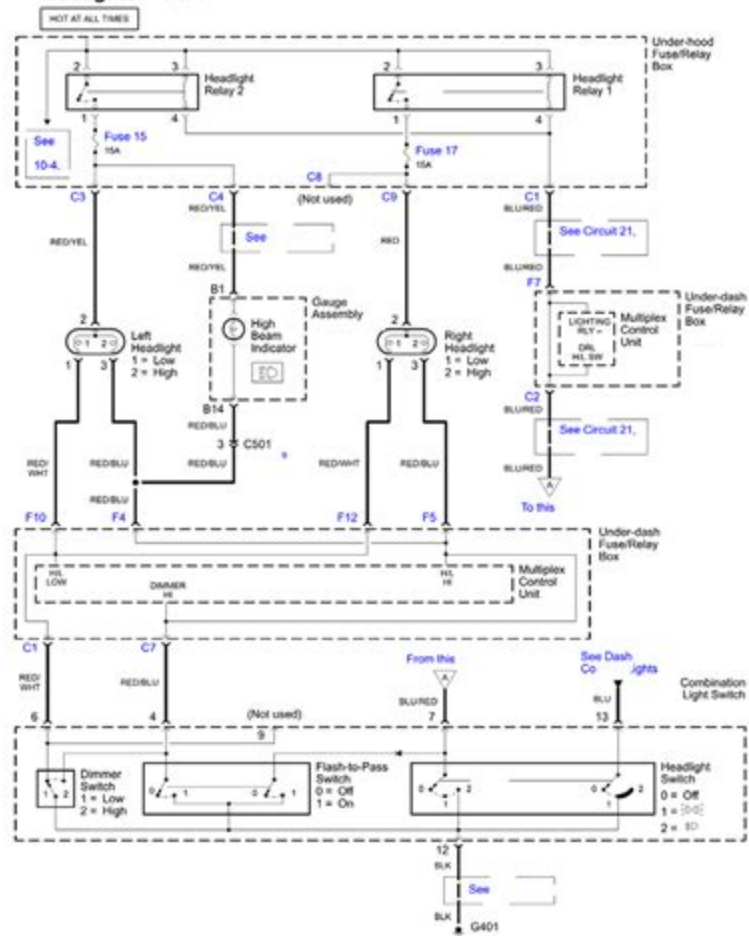


Exterior Lights

- Headlights - USA



Click here to access this Book :

[FREE DOWNLOAD](#)

Honda Crv 2002 Wiring Diagram

[Honda Crv 2002 Wiring Diagram](#)

Honda Crv 2002 Wiring Diagram

Wiring Diagram - Honda CR-V 2002 2003 2004 2005. Home; Civic 2006; CR-V 2002; Civic 2016; Suzuki Jimny; Outlander 2013; Home

Wiring Diagram - Honda CR-V 2002 2003 2004 2005

2002 Honda Crv Wiring Diagram - welcome to my web site, this blog post will review regarding 2002 Honda Crv Wiring Diagram. We have actually collected lots of pictures, hopefully this picture is useful for you, as well as aid you in finding the response you are seeking. Description : 99 Honda Cr V Wiring Diagram -

2002 Honda Crv Wiring Diagram | Fuse Box And Wiring Diagram

2002 Honda CRV Stereo Wiring Information. Radio Constant 12V+ Wire: White/Red Radio Switched Ignition 12V+ Wire: Yellow/Red or Yellow/Green Radio Ground Wire: Black Radio Illumination Dimmer Wire: Red/Black Left Front Speaker Wire (+): Green/Black Left Front Speaker Wire (-): Light Green Right Front Speaker Wire (+): Green/Yellow

2002 Honda CRV | Stereo Wiring Diagram

Wiring Diagram For Honda Crv. Wiring. Free Wiring Diagrams within 2002 Honda Cr V Wiring Diagram by admin From the thousand pictures on the web in relation to 2002 Honda Cr V Wiring Diagram, chooses the very best collections together with greatest quality just for you all, and now this photos is one of pictures libraries in this best pictures gallery regarding 2002 Honda Cr V Wiring Diagram.

Wiring Diagram For Honda Crv. Wiring. Free Wiring Diagrams ...

Some HONDA CR-V Wiring Diagrams are above the page. The Honda CR-V, presented at the Tokyo Motor Show in 1995, was one of the first representatives of the "crossover" class, although at that time this name was not yet used. In October of that year, the novelty appeared in Japanese car dealerships, and in 1997 its sales began in America, Europe and Russia.

HONDA CR-V Wiring Diagrams - Car Electrical Wiring Diagram

This video will show you How to Access the Complete Honda CRV Wiring Diagrams and details of the wiring harness. Diagrams for the following systems are inclu...

Honda CRV Wiring Diagrams 1998 to 2016 - YouTube

Wiring Diagram Rear Door Latch Replacement Seat Heater Switch Test/Replacement Wiring Diagram Ground Circuit Identification Keyless/Power Door Lock System Component Location Index Relay and Control Unit Locations - Driver's Dashboard Power Mirror Replacement Hood Latch Replacement Tailgate Lock Actuator Test Navigation Unit DVD-ROM Replacement

- Honda CR-V 2002 2003 2004 2005

Honda CR-V 2002 - 2005 Shop Manual. MANUAL. Share. The 2002 CR-V Shop Manual is divided into 23 sections. The first page of each section is marked with a black tab that lines up with its corresponding thumb index tab on this page. You can quickly find the first page of each section without looking through a full table of contents. The

symbols printed at the top corner of each page can also ...

Honda CR-V 2002 - 2005 Shop Manual - PDF Download

Honda CR-V (2002 - 2004) - fuse box diagram Year of production: 2002, 2003, 2004 Interior fuse box The interior fuse box is underneath the steering column. Number Ampere rating [A] Circuits Protected 1 15 Ignition Coil 2 10 Rear Accessory Power Socket 3 10 Daytime running lights* 4 10 ACG 5 — Not Used 6 ...

Honda CR-V (2002 - 2004) - fuse box diagram - Auto Genius

HONDA Car Manuals PDF & Wiring Diagrams above the page - Civic, CR-V, Fit, Ridgeline, S2000, Accord, Odyssey, Element, Pilot; Honda Car EWDs.. In 1946, the Japanese automobile company Honda was created. Its founder Soichiro Honda did not have the necessary engineering education, but he compensated for all the gaps with risk and accurate instinct. ...

HONDA - Car PDF Manual, Wiring Diagram & Fault Codes DTC

Wiring Diagrams > Honda. If you run into an electrical problem with your Honda, you may want to take a moment and check a few things out for yourself. Before you dive in with a multi-meter, you will want to obtain a free wiring diagram for your specific model. You may need to locate a specific color wire and its exact location.

Honda Wiring Diagrams - FreeAutoMechanic

Description: 72145-S9A-013 - Genuine Honda Cylinder, R. Door in 2002 Honda Crv Parts Diagram, image size 1108 X 553 px, and to view image details please click the image.. Truly, we also have been noticed that 2002 honda crv parts diagram is being just about the most popular issue at this time. So we attempted to get some terrific 2002 honda crv parts diagram photo to suit your needs.

2002 Honda Crv Parts Diagram | Automotive Parts Diagram Images

2002 Honda CRV Stereo Wiring Guide Whether your an expert installer or a novice enthusiast with a 2002 Honda CRV, an automotive wiring diagram can save yourself time and headaches. One of the most time consuming tasks with installing a car stereo, car radio, car speakers, car amplifier, car navigation or any mobile electronics is identifying the correct wires for a 2002 Honda CRV.

2002 Honda CRV Stereo Wiring Guide - MODIFIEDLIFE

You can find PDF manual here <https://imgvehicle.com/> 2007 Honda CR V Reviews and Rating Motor Trend HONDA CR V specs amp photos 2007 2008 2009 autoevolution ...

Honda CR V (2007-2011) wiring diagrams & manual - YouTube

2004 honda crv wiring diagram another photograph: how to use honda wiring diagrams 1996 to 2005 training module 2008 honda accord abs wiring diagram wiring diagram inside taurus 605b2 schematics wiring diagram name. 2004 2006 honda crv vehicle wiring chart and diagram listed below is the vehicle specific wiring diagram for your car alarm remote starter or keyless entry installation into your ...

2004 Honda Crv Wiring Diagram | autocardesign

Launched in the year 1995 the Honda CR-V is a compact SUV (or Compact Recreational Vehicle ? as stated by Honda) which is the smallest SUV offered by Honda Motor Corporation. The CR-V is widely acclaimed for its stylish looks and great performance.

The CRV utilizes Honda's Advanced Compatibility Engineering front structure, the structure was upgraded during the mid-cycle refresh. All CR-V ...

Honda CR-V Free Workshop and Repair Manuals

'2002 Honda Crv Door Lock Wiring Diagram netbook review com April 12th, 2018 - 2002 honda crv door lock wiring diagram in addition 96 integra fuse box diagram also honda accord why wont my rear door open 376721 also repairguidecontent 9 / 37. together with honda accord88 radiator diagram and schematics' 'Amazon Com Honda Civic Wiring Diagram April 21st, 2018 - 1 16 Of 100 Results For Honda ...

Wiring Diagrams For Honda Civic Rear Door

Honda Crv Wiring Diagram Best Repair Guides Wiring Diagrams. Skip to content. Free Wiring Diagram Menu. Wiring Diagrams; About Us; Contact Us; 2005 Honda Crv Wiring Schematic. September 3, 2018 January 13, 2019 by Larry A. Wellborn. Assortment of 2005 honda crv wiring schematic. A wiring diagram is a simplified conventional photographic depiction of an electric circuit. It reveals the elements ...

2005 Honda Crv Wiring Schematic | Free Wiring Diagram

We collect a lot of pictures about 2003 Honda Crv Wiring Diagram and finally we upload it on our website. Many good image inspirations on our internet are the best image selection for 2003 Honda Crv Wiring Diagram. If you're happy with some pictures we provide, please visit us this web site again, do not forget to share to social networking ...

Eventually you will fully experience additional and finish by spending more money. anyway when? finish you take that you need to acquire these all needs like have a lot of money? Why dont you try to acquire something fundamental in the beginning? This is something that will guide to understand even more proposition the globe, the experience, some places, soon history, fun and more?

This is your completely own mature to appear in revision of habits. with some guides that you might enjoy now are [Honda Crv 2002 Wiring Diagram](#) below.

[10 Must Reads Ultimate Boxed Set 14 Books, Reading Library 1000 Audio, Isuzu Rodeo Amigo Honda Passport 1989 Thru 2002, Ducato 2002 Jtd, Yuedu Jiaocheng Chinese Reading Course Level 1 Book 1, Reading Worksheet Answers, Joke 2002 Nasco Answers Polygon, Toefl Reading IntermediateIbt For Korean Speakers, Hive 4 Mark Walden, D Reading 2 1 Answers, Engineering Thermodynamics Binder Ready Version, Of Literature Third Course Holt Reading Solutions, Spanish Reader Earl Stanley Harrison, Reading And Writing Research 4th Edition, Reading Writing Comm 170 Beyond, Philosophy Education Book Readings Brubacher, Easy Reader Super 500, Language Learner Adapted Interactive Reader Answers, Brown Edge Reading Writing Language Level, Literature Reading Purpose Course Grade, Blueprint Reading Taylor Winslow, Of English Grammar Workbook B With Answer Key Azar English Grammar By Betty Schramper Azar 2002 09 27, Reading Reading Skills For Advanced Students, Tax Ready Reckoner 26th Edition, Academic Skills 1 Reading Writing And Study Skills Teacher Amp, Chemical Engineering Spreadsheet Xls, Math For College Readiness Answer Key, Reading To Writing 3 Answer Key, Readers Level 3 New Girl In School Activity Book, Argument Readings Launchpad Readers, Memory To Speech And Back Papers On Phonetics And Phonology 1954 2002](#)