

For location of hydraulic oil tank refer to **Component Locations** at the end of this section.

**WARNING**

**Hydraulic Fluid**

Fine jets of hydraulic fluid at high pressure can penetrate the skin. Do not use your fingers to check for hydraulic fluid leaks. Do not put your face close to suspected leaks. Hold a piece of cardboard close to suspected leaks and then inspect the cardboard for signs of hydraulic fluid. If hydraulic fluid penetrates your skin get medical help immediately.

RT-3-1-1071

**Checking the Fluid Level**

**1 Prepare the Machine**

Position the machine on level ground with the bucket and dipper rams fully extended and the boom lowered to rest the attachment on the ground, as at **A**.

**2 Check the Level**

Look at the fluid level in the sight tube **B**. The level should be between the two marks on the tube. If the fluid is cloudy, water or air has entered the system. Water or air in the system could damage the hydraulic pump. Contact your JCB distributor if the fluid is cloudy.

**Releasing Tank Pressure**

**WARNING**

DO NOT remove the hydraulic tank filler cap or cover plate when the engine is running. The hydraulic system is under pressure. You or others could be injured. First stop the engine and then release the pressure.

3-3-4-471

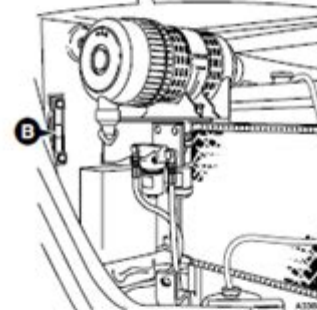
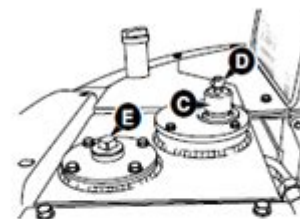
**1 Prepare the Machine**

Position the machine on level ground. Stop the engine. Remove the starter key.

**2 Locate Breather C on Top of the Hydraulic Oil Tank**

**3 Release Tank Pressure**

Remove cap **D**. Press and hold the projection revealed until all pressure has been released.



**Topping-up Fluid Level**

**1 Prepare the Machine**

Position the machine on level ground. Stop the engine. Remove the starter key.

**2 Release Tank Pressure**

See **Releasing Tank Pressure**.

**3 Add Fluid**

Remove the hydraulic tank filler port cover **E** and add fluid to the required level as indicated on the sight tube **B**. See **Fluids and Lubricants - Capacities and Specifications** for type of fluid to use.

**4 Refit filler port cover E.**

[www.epcatalogs.com](http://www.epcatalogs.com)

Click here to access this Book :

**[FREE DOWNLOAD](#)**







# Jcb Jz 70 Service Manual

## [Jcb Jz 70 Service Manual](#)

### **Jcb Jz 70 Service Manual**

View and Download jcb JZ 70 service manual online. JZ 70 excavators pdf manual download.

### **JCB JZ 70 SERVICE MANUAL Pdf Download | ManualsLib**

Jcb JZ 70 Pdf User Manuals. View online or download Jcb JZ 70 Service Manual

### **Jcb JZ 70 Manuals | ManualsLib**

This service manual is intended for the maintenance and overhaul of the JCB Excavators model JZ 70. This service repair manual also includes a certain amount of safety service information, technical specifications, lots of circuits and schematics, technical data and other repair information.

### **Download JCB Excavators JZ 70 Service Manual PDF**

View online Service manual for jcb JZ 70 Excavators or simply click Download button to examine the jcb JZ 70 guidelines offline on your desktop or laptop computer.

### **jcb JZ 70 Excavators Service manual PDF View/Download**

JCB JZ70 Tracked Excavator Service Repair Workshop Manual DOWNLOAD. Machine Model and Serial Numbers: JZ70-834001 Onwards. Service Repair Manual Covers: General Information Care and Safety Routine Maintenance Attachments Body and Framework Electrics Controls Hydraulics Transmission Track and Running Gear Engine

### **JCB JZ70 Tracked Excavator Service Repair Workshop Manual ...**

Our JZ 70 JZ Models workshop manuals contain in-depth maintenance, service and repair information. Get your eManual now!

### **JZ Models | JZ 70 Service Repair Workshop Manuals**

The JCB JZ70 TRACKED EXCAVATOR SERVICE REPAIR WORKSHOP MANUAL DOWNLOAD is an explanatory how-to guide on all your repair techniques. This service manual has easy-to-read and apply section-wise instructions to repair every part from headlight to rear lights, and from top to bottom.

### **JCB SERVICE MANUALS: JCB JZ70 TRACKED EXCAVATOR SERVICE ...**

Apprenez des spécifications techniques de JCB JZ70 - catalogue complet des spécifications et une recherche rapide des informations nécessaires excavatrice de taille moyenne.

### **Fiche Technique: JCB JZ70. Excavatrice De Taille Moyenne.**

JCB 530 532 533 535 537 540 Telescopic Handler Service Repair Workshop Manual. JCB 531-70 533-105 535-95/125 535-140 536-60 540-140/170 541-70 550-140/170 Loader Service Manual. JCB 531-70, 535-95, 536-60, 536-70, 536-70LP, 541-70, 550-80, 560-80 Service Repair Manual (S/N from 2569936 and up , 2724382 and up)

### **JCB - Service Manual Download**

JCB Fastrac 3170 PDF Service Manual ... 1999 +- JS 160 Parts and service manuals and wiring diagrams. any info would be great thank you Skip #3. Richard Calcutt (Sunday, 24 March 2019 02:20) Having electrical problem with Micro 8008 2004 model Ident no

SLP08004E01006669 looking looking for a wiring diagram Cheers #2. Abdullah (Wednesday, 06 March 2019 02:03) I want manual maintenance for Jcb ...

### **JCB free Service Repair Manuals - Wiring Diagrams**

Instant download JCB JZ70 Tracked Excavators Service Repair Manual. This manual content all service, repair, maintenance, troubleshooting procedures for JCB Tracked Excavators. All major topics are covered step-by-step instruction, diagrams, illustration, wiring schematic, and specifications to repair and troubleshoot.

### **JCB JZ70 Tracked Excavators Service Repair Manual | A ...**

This JCB Hydraulic Excavator service manual / repair manual / workshop manual PDF download contains specs, diagrams, actual real photo illustrations, and schemes. In addition to space savings, nice thing about having completely searchable PDF files instead of a hard-printed manual is that you can use the Search feature in your PDF reader software (Adobe Acrobat) to find just what your looking ...

### **JCB JZ70 Tracked Excavator Repair Service Manual - Digital ...**

JCB 530-70 533-105 535-60 535-95 540-70 532-120 535-125 535-140 537-135,550 540-140 540-170,5508 Telescopic Handler Service Repair Workshop Manual DOWNLOAD JCB 530B-HL WORKSHOP SERVICE REPAIR MANUAL JCB 531-70 (T70) 533-105 535-95 (T95) 536-60 (T60) 536-70 (T70) 526-56 541-70 (T70) Telescopic Handler Service Repair Workshop Manual DOWNLOAD

### **Sitemap - JCB Manual Download**

JCB JZ70 Tracked Excavator Service Repair Workshop Manual With this in-depth & highly detailed manual you will be able to work on your JCB Excavator with the absolute best resources available, which will not only save you money in repair bills but will also help you to look after your investment, keeping your JCB Excavator in pristine condition.

### **JCB JZ70 Tracked Excavator Service Repair Manual DOWNLOAD**

This Factory Service Repair Manual offers all the service and repair information about JCB JZ70 Tracked Excavator. The information on this manual covered everything you need to know when you want to repair or service JCB JZ70 Tracked Excavator. Click Here To Preview Online. Machine Model and Serial Numbers: JZ70-834001 Onwards. Manual Contents: General Information Care and Safety Routine ...

### **JCB JZ70 Tracked Excavator Service Repair Workshop Manual ...**

Welcome to JCB Service Pro (JCB's service information portal). To preview the range of information available on the site, you may register by clicking the button. Operator's Manuals and Service/Inspection Checklists are available free of charge. Subscriptions to access additional Service information may be purchased by Independent Operators. Register . Welcome to JCB's RMI Portal. This website ...

### **Home | JCB Service Pro**

Instant download JCB JZ70 Tracked Excavator workshop service repair manual. This manual content all service, repair, maintenance, troubleshooting procedures for JCB JZ70 Tracked Excavator. All major topics are covered step-by-step instruction, diagrams, illustration, wiring schematic, and specifications to repair and troubleshoot.

### **JCB JZ70 Tracked Excavator Service Repair Manual**

JCB 531-70/T70, 535-95/T95, 536-60/T60/70/T70, 541-70/T70,533-105,526-56, 550-80/T80 Telescopic Handler Service Manual. JCB 531-70, 535-95, 536-60, 541-70, 533-105, 536-70, 526-56, 550-80, 531-T70, 541-T70, 536-T60, 535-T95, 536-T70, 550-T80 Telescopic Handler Service Manual. JCB 532H,537H Telescopic Handler Service Manual(Supplement) JCB 540-170, 540-140, 535-125 Hi Viz, 535-140 Hi Viz ...

### **JCB - Workshop Service Manuals Download**

JCB JZ70 Tracked Excavator Excavator Workshop Service Repair Manual The Best PDF Manuals Online Includes : Bookmarks + Searchable Text + Index = Fast Navigation And Best Organization ! This Workshop Service repair manual offers detailed servicing instructions and will give you complete step by step information on repa

### **Jcb JZ70 Tracked Excavator Workshop Service Repair Manual ...**

With the JS 205LC, you also benefit from the advanced LiveLink telematics system that helps you in managing-service reminders, machine data backup, fuel level information, engine status and GPS tracking. Superior Operator Environment, High Output, Best in Fuel Efficiency, Safest Choice ; More Less. JCB Products Large Excavators JS205; Specifications Operating Weight. 20,500kg. Maximum Engine ...

This is also one of the factors in getting the software documents from this [Jcb Jz 70 Service Manual](#) online. You might not need more times to spend to go to the ebook establishment as without difficulty as research for them. In some cases you obtain not uncover the message Jcb Jz 70 Service Manual you are looking for. It will be categorically wasting time.

However below, when you visit this web page, it will be suitably definitely easy to get as competently by downloading guide Jcb Jz 70 Service Manual

He will not to take many period as we say before. You can reach this even if take action something else at home and even at your workplace. suitably easily! So, are you question? Just exercise what we authorizing below like with ease like evaluation **Jcb Jz 70 Service Manual** what you once read!

[Reader Collection Volume 1 Hikoichi, And Reason The Vine Deloria Jr Reader, De Selecciones Libros Condensados Por Selecciones Del Readers Digest 1975, Words To Reading The Language Experience Approach Begins, Vocabulary Builders Lime Book Reading Level 8 0, Norbert Elias Reader Blackwell Readers, Eyre Beginner Level Extended Reads, Ask Me Anything Book Online, Skills For Reading Book 3 Teachers Manual, The Fashion Business Text And Readings, Jerry M Burger Edition 8 Download Free Ebooks About Jerry M Burger Edition 8 Or Read Online Vie, 43670, The Basics 10th Edition Download Free Ebooks About The Basics 10th Edition Or Read Online Viewer, The Dread, Player One, For Reading Workbook 1, On Phonics Learn To Read, Of Eeg Seizure Semiology Download Free Pdf Ebooks About Of Eeg Seizure Semiology Or Read, Digest Illustrated Factopedia Illustrated Factopedia, Bhavikatti Rcc Vol 2 Download Free Pdf Ebooks About Bhavikatti Rcc Vol 2 Or Read Online Pdf, Nobonk And The Terrible Awful Dreadful Naughty Nasty Dragon, Reader Unlocking The Secrets And Powers Of A Mentalist Ebook Lior Suchard, Kac 8070 Amplifier, Of Pathogens Pogil Answers, Reading For Industry Write In Text, Security Directive Ad 70 L, Markets The Political Economy Of Credit In Paris 1660 1870, Iso 1502 Thread, Bread Machine Bakery Book, For Reading Grade Five Teachers Edition, And Kumpeni Surakarta And Yogyakarta 18301870](#)